

# D1102KV SURFACE-MOUNT

## IP VIDEO DOOR STATION

Surface-mount • 2 Call Buttons • Keypad Module



# ANSWER YOUR DOOR ANYWHERE.

## ADVANTAGES

### HOW DOES IT WORK?

Imagine, you are not at home and your children have locked themselves out or the courier wants to deliver a parcel. With DoorBird this is no longer a problem. Every time someone rings the doorbell you will get a push notification on your smartphone or tablet. Via the DoorBird App you can talk to visitors and also see them live in HD quality. You will never miss a visitor again. With DoorBird you are on the move and yet at home, even if a burglar rings at the door to check if someone is at home.

### SMART HOME STARTS AT THE FRONT DOOR

DoorBird is the smart solution for your house entrance. Simply connect your DoorBird IP Video Door Station to your smartphone and talk to your visitor - anywhere you are. The IP Video Door Station can be used as a stand-alone unit or can be integrated into an existing Smart Home platform. Even existing classic installations such as an electric door opener can still be used and controlled via the DoorBird App.

### QUALITY MADE IN GERMANY

All DoorBird products are designed, developed and produced by Bird Home Automation Group in Berlin, Germany. We manufacture all products with the greatest care and precision, and deliver them to our customers all over the world.



#### Open API

- Local interface for integration with third-party systems and SIP



#### Video and audio call

- On smartphones, tablets (iOS, Android), IP and landline phones (SIP)



#### Smart Home & NVR compatible

- Control4, Loxone, Crestron, Synology, AVM FRITZ!Fon, URC, QNAP, RTI, Nice, Fibaro, Bang & Olufsen and others



#### Smart Transmission Mode (STM)

- Real-time audio / video communication, optimized for mobile devices via WiFi, 3G, 4G, 5G



#### Bluetooth Low Energy (BLE)

- For access control (compatible with Bluetooth Keyfob A8007), compatible external sensors and smart locks



#### Free visitor history

- Store still images for free, optional video recording available

#### IR Night vision

- With Infrared LEDs

#### 4D Motion sensor with 4D technology

- Distance up to 6 m (19.7 ft) adjustable via App (interval: 1 m/3.3 ft)



#### Geofencing

- Automatic door and gate opening when returning home

#### HD HDTV Video

- Ultra wide-angle, hemispheric lens, 180°



#### Noise reduction and echo cancellation (AEC, ANR)



#### WiFi enabled

- Works within a WiFi network, no LAN cable needed



#### Light sensor

- For night vision mode



#### Microphone

- Clear voice transmission



#### Individual action schedules, e.g.:

- Trigger relay 1 for automatic door release Mo-Fr from 9 am until 4 pm when the call button is pressed
- 4D motion sensor switches on external lamp between 9 pm and 6 am



#### One freely configurable bistable latching relay

- Control one door or one gate via App
- Status configurable via App: temporary or permanent circuit



#### Keypad Module

- Configurable via App
- Up to 500 individual PIN codes
- Individual events (e.g. switch a relay, HTTP(s) requests)



#### Automatic door buzzer

- For use in medical offices and office environments



#### Easy self-install

- Quick installation via QR code scan



#### Easy connection to the network

- Connection via a network cable or bell wire via 2-Wire Ethernet PoE Converter "DoorBird A1071" (PoE, network data)



#### Call button

- With backlit nameplate

GENERAL	
Front panel	3 mm (0.12 in) For further materials and colours see material board and Online Shop.
Mounting housing (backbox)	Polycarbonate
Mounting type	Surface-mounted, flush-mounted version sold separately
Call button	Illuminated
Nameplate	Plastic Metal cover plate and engraving available separately, see <a href="http://www.doorbird.com/de/buy">www.doorbird.com/de/buy</a>
Keypad Module	12 keys, illuminated, configurable via App, e.g. <ul style="list-style-type: none"> <li>Individual PIN codes</li> <li>Individual events (e.g. switch a relay, HTTP(s) request)</li> <li>Individual schedules</li> <li>Up to 500 PIN codes manageable</li> </ul>
Power supply	15 V DC (max. 15 W) or Power over Ethernet (PoE 802.3af Mode-A)
Weight	995 g
Connectors	<ul style="list-style-type: none"> <li>LAN/PoE (T+, T-, R+, R-)</li> <li>Bistable latching relay, max. 1-24 V DC/AC, 1 A, e.g. for electric door opener</li> <li>External input for external door opener button</li> <li>15 V DC input (+, -), max. 15 W</li> </ul>
Weatherproof	Yes, IP65
Approvals	CE, UKCA, FCC, IC, RoHS, REACH, WEEE, Wi-Fi CERTIFIED™
Dimensions	65,00 x 264,00 x 29,50 mm (H x W x D) 10,39 x 2,56 x 1,16 in (H x W x D)
Operating conditions	-25 to +55°C / -13 to 131°F Humidity 10 to 85 % RH (non-condensing)
Scope of delivery	<ul style="list-style-type: none"> <li>1x Main Electrical Unit</li> <li>1x Front panel</li> <li>1x Surface-mounting housing (backbox)</li> <li>1x Power supply unit (mains adaptor) with up to 4 country-specific outlet adaptors (100 - 240 V AC to 15 V DC)</li> <li>1x RJ45 adapter</li> <li>1x Screwdriver</li> <li>1x Quickstart guide with Digital Passport</li> <li>1x Installation manual</li> <li>1x Small parts</li> </ul>
Warranty	see <a href="http://www.doorbird.com/warranty">www.doorbird.com/warranty</a>

**CURRENT SYSTEM REQUIREMENTS**

System requirements	<p>Mobile device: Newest iOS on iPhone/iPad, newest Android on Smartphone/Tablet</p> <p>Internet: High-Speed Landline Broadband Internet connection, DSL, cable or fiber optic, no socks or proxy server</p> <p>Network: Ethernet Network, with DHCP</p>
Recommended installation height	Camera lens should be at a min. height of 145 cm (57 in). Before the installation please determine your optimal installation height.

**VIDEO**

Camera	HDTV 1080p, dynamic (VGA - HDTV)
Lens	High-end ultra wide-angle hemispheric lens 180° (D), 150° (H), 82° (V), straightened, IR-capable
Night vision	Yes, light sensor, automatic IR-cut filter, Infrared LEDs (850 nm)

**AUDIO**

Audio components	Speaker and microphone, noise reduction and echo cancellation (ANR, AEC)
Audio streaming	Two-way, full duplex

**NETWORK**

Ethernet	PoE 802.3af Mode-A, 10/100 Base-T
WiFi	2.4 GHz b/g/n
Supported protocols	HTTP, HTTPS, SSL/TLS, Bonjour, DNS, RTSP, RTP, TCP, UDP, RTCP, ICMP, DHCP, ARP, SIP, DTMF (RTP [RFC-2833], SIP INFO [RFC-2976]), STM

**MOTION SENSOR**

Type	Active
Detection angle	80° (H), 50° (V)
Range	1 - 6 m (3.3 - 19.7 ft), depends on environment, configurable in 1 m (3.3 ft) steps.
Technology	4D. Based on multiple integrated sensors and algorithms, e.g. Radio Frequency Energy (RFE)
Configuration	<p>Via App, e.g.</p> <ul style="list-style-type: none"> <li>Range (1 - 6 m / 3.3 - 19.7 ft)</li> <li>Movement direction (coming, leaving, both)</li> <li>Individual events (e.g. switch a relay, push notification, SIP call [audio/video], HTTP(s) requests)</li> <li>Individual schedules</li> </ul>

**INTEGRATED WIRELESS MODULES**

WiFi	2.4 GHz
Bluetooth	Bluetooth Low Energy (BLE), compatible with DoorBird Bluetooth Keyfob Remote A8007
Sensor	24 GHz, can be disabled

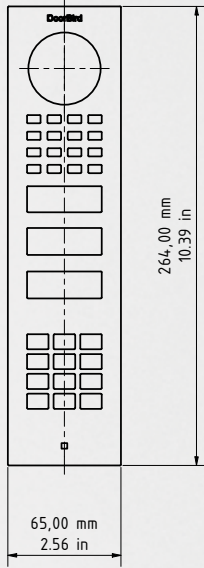
**THIRD-PARTY INTEGRATION (DOORBIRD CONNECT)**

Partner integrations	see <a href="http://www.doorbird.com/connect">www.doorbird.com/connect</a>
API	see <a href="http://www.doorbird.com/api">www.doorbird.com/api</a>
Simultaneous video streams	One, for event-based recording

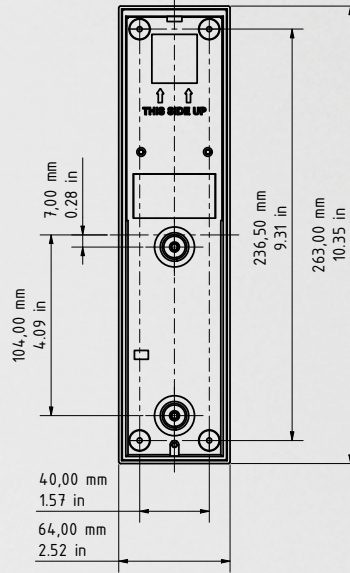
**OPTIONAL ACCESSORIES**

Sold separately	see <a href="http://www.doorbird.com/buy">www.doorbird.com/buy</a>
-----------------	--

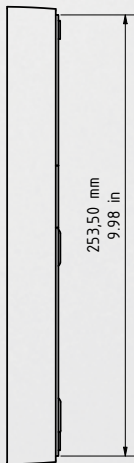
Front panel material thickness: 3.0 mm (0.12 in)



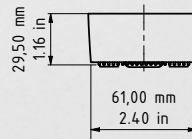
Front panel



Surface-mounting housing (backbox)



Surface-mounting housing (backbox)



Surface-mounting housing (backbox)



DoorBird